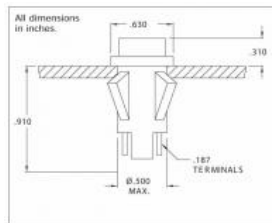


## Products

### Neon & Incandescent Indicators

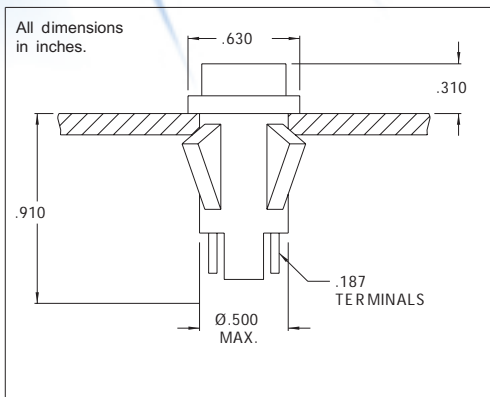
CML IT offers panel mount indicators manufactured with LED, Neon or Incandescent light sources. These indicators are available in a number of different lens and termination styles, with voltages of 2V ~ 250V available off-the-shelf.



**Part Number:** 1051QC4  
**Serial Number:** 1051  
**Light Source:** Neon  
**Color:** White  
**Voltage (V):** 250VAC  
**Mounting Hole (inch):** 0.50  
**Mounting Hole (metric):** 12.7  
**Termination:** .187" QC  
**Bezel color:** Stainless Steel  
**Housing color:** White  
**UL file:** E20325  
**CSA file:** LR13346  
**RoHS Status:** Yes

**1050QC, 1051QC, 1052QC, 1053QC and 1090QC Series Non-Relampable Neon-Incandescent Indicator Lights**

**DESCRIPTION AND FEATURES**



Mounting: Will snap-fit into Ø.500/.505 hole in panels .020/.100 thick. Push-on speednut SN0461 also available.  
 Mounting hole pattern on page SP2.

Terminals: Tinned brass

Lens: Polycarbonate

Bezel: Polished stainless steel.  
 For black finish add "X" after the series letter(s).

Housing: White Nylon

Lens Color	Neon		Incandescent	
	Model No. (105-125VAC)	Model No. (208-250V)	Model No. (12V)	Model No. (28V)
Red	1050QC1	1051QC1	1090QC1-12V	1090QC1-28V
Clear	1050QC2	-	-	-
Amber	1050QC3	1051QC3	1090QC3-12V	1090QC3-28V
White	1050QC4	1051QC4	1090QC4-12V	1090QC4-28V
Green	1052QC5*	1053QC5*	1090QC5-12V	1090QC5-28V
Lamp used	C2A+R resistor	C2A+R resistor	#2162	#2187

\* Incorporates G2B lamp and resistor.  
 Underwriters Laboratories (UL) File No. E20325  
 Canadian Standards Association (CSA) File No. LR13346